

## LED Garden Spot Light



### Features:

- Perfect light to illuminate outdoors
- Simple design, easy to install & replace
- Aluminum body material with integrated driver & clear lens
- Up to 80% energy saving
- Lower maintenance cost
- UV & IR free light
- 8W, 10W, 15W, 30W
- 3000K to 6000K or RGB
- CRI>80
- IP67
- IK08
- PF0.9
- 15°, 24°, 60°
- Spike included
- Black color
- Extra cap & colored filters available upon request



### General Characteristics:

Item	Watt	Voltage (V)	Lum. Flux (lm)	CCT (K)	D(mm)	H(mm)	Spike(mm)
GSPL116-8W	8W	100-277V	500-550	3000-6000K	56	85.5	238
GSPL116-10W	10W	100-277V	700-750	3000-6000K	56	85.5	238
GSPL116-15W	15W	100-277V	950-1000	3000-6000K	70	90	260
GSPL116-30W	30W	100-277V	2000-2100	3000-6000K	78	123	260



#### Cautions:

- Please read the contents on the box and label carefully before installation.
- Check if the specification e.g. voltage, current etc meet the requirements.
- Power must be cut off before installation, replacement and cleaning.
- Don't touch the luminaire while it is on or immediately after turning it off.

#### Remarks:

- Power consumption tolerance: +/- 10%.
- Luminous flux & cd tolerance: +/-10%

\*Photos, descriptions and details of the product are subject to change without previous notice.

## LED Tree Light



### Features:

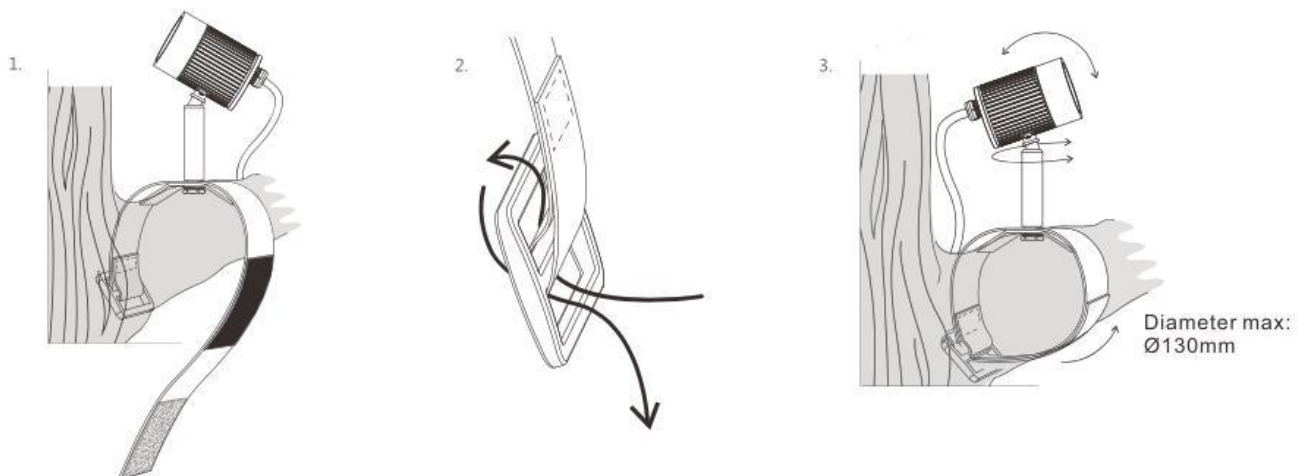
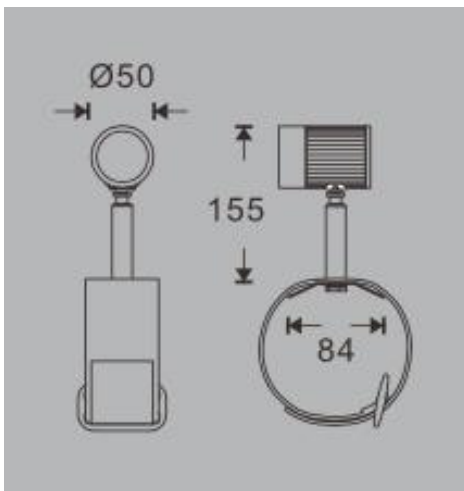
- LED fixture for tree illumination
- IP67
- Low power consumption & heat radiation
- Elegant design with solid & corrosion resistant structure
- Lifespan 30000 hrs
- Warm white, white or cold white color temperature
- Red, yellow, green or blue color
- 5W
- 1 pc COB LED
- 100-240V or 12-24V
- Aluminum + PC material



### General Characteristics:

PRODUCT CODE	POWER (W)	VOLTAGE (V)	LUMEN OUTPUT (LM)	CRI	BEAM ANGLE
GL112	5W	110-240V	300lm	80+	30°
GL112	5W	12-24V	300lm	80+	30°

### Dimensions:



#### Cautions:

- Please read the contents on the box and label carefully before installation.
- Check if the specification e.g. voltage, current etc meet the requirements.
- Power must be cut off before installation, replacement and cleaning.
- Don't touch the luminaire while it is on or immediately after turning it off. Please wait 15 min. to cool down.

#### Remarks:

- Power consumption tolerance: +/- 10%.
- Luminous flux & cd tolerance: +/-10%.