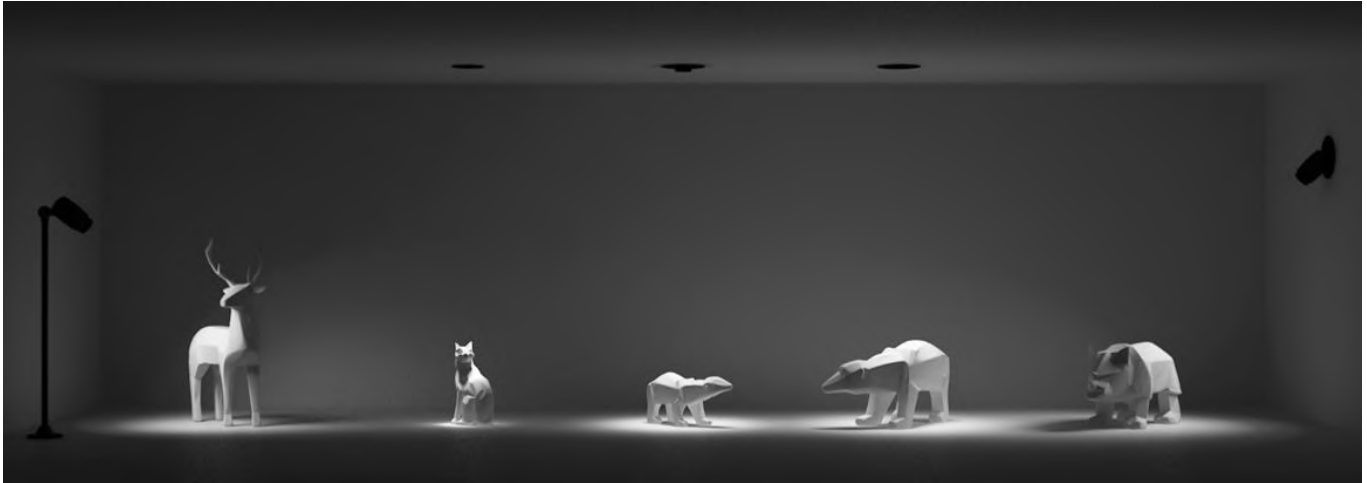


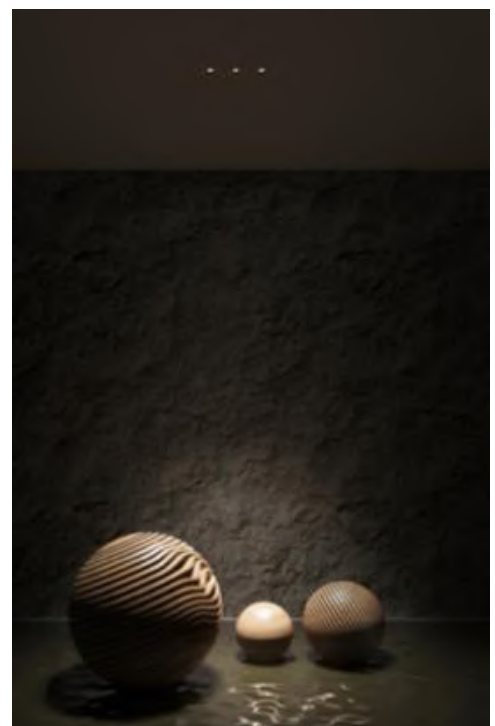
DOT Series



To accentuate different sizes of objects with adjustable beam angle, stretchable structure, & deep recessed technology. The guiding principle is to create the ultimate visual comfort from a minimal form. The small & exquisite appearance leaves an impression of simplicity & elegance. Designed for a variety of compositions, its narrow beam highlights the focal point, provides an esthetic touch & well defines a space with reduced glare.

Features:

- Different luminaires available: spot fixed, spot adjustable, spot zoom, pole zoom
- Precise light distributions for precise illumination without spilled light
- Adjustable version to enhance the desired light
- Zoom technology to modify the beam angle by rotation
- Pole version for cabinet lighting, best way for object exposition
- From 1W to 12W
- Up to 700lm
- High quality with best color rendering
- On-off, dim phase, dim 0-10V, Dali
- White & black color finishing

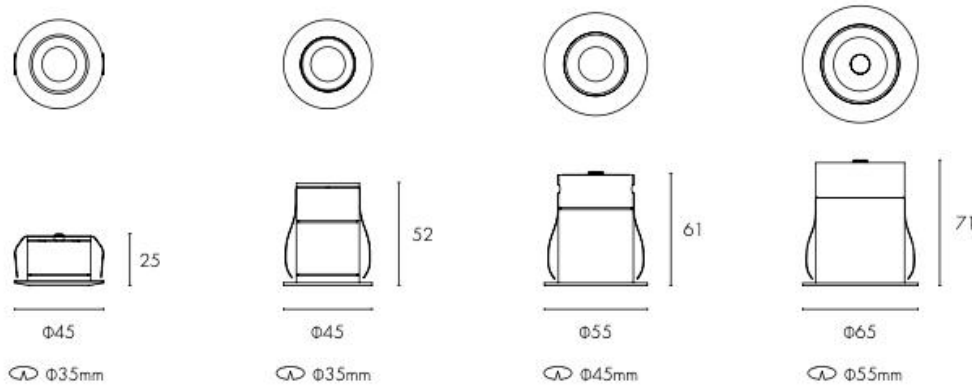


General Characteristics:

Spot Recessed



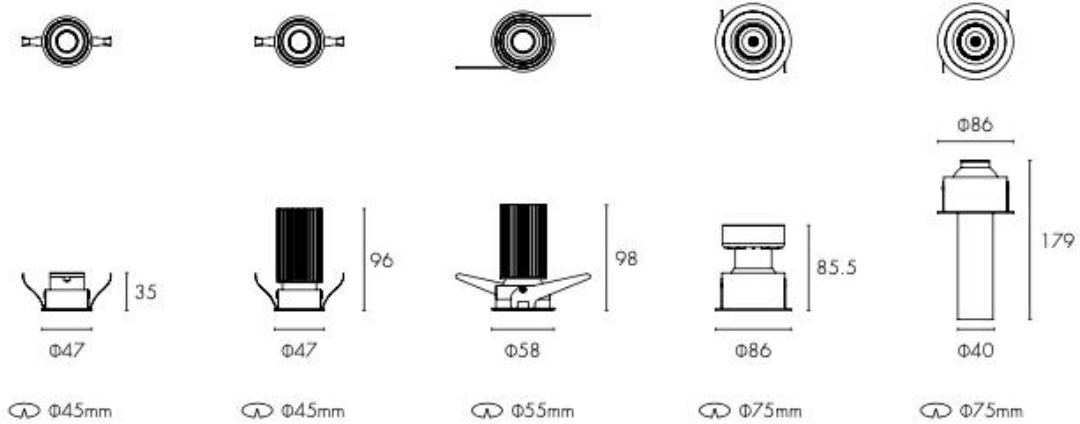
PRODUCT CODE	POWER (W)	LUMEN (lm)	CRI (Ra/R9)	SDCM	BEAM ANGLE (°)	UGR	DIMENSION
DSR-1	1W	65lm	Ra>90/R9>50	<5	10°/15°	<13	D45*25mm
DSR-1	1W	60lm	Ra>90/R9>50	<5	10°/15°	<13	D45*52mm
DSR-3	3W	150lm	Ra>90/R9>50	<5	10°/15°/24°	<13	D55*61mm
DSR-7	7W	350lm	Ra>90/R9>50	<5	10°/15°/36°	<13	D65*71mm



Spot Adjustable



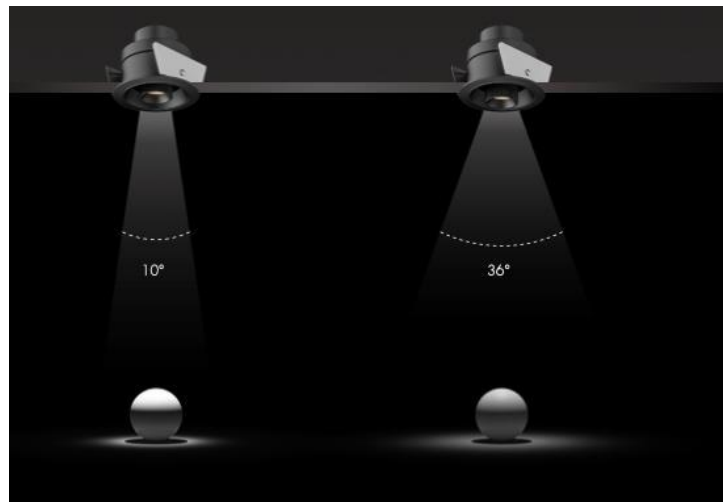
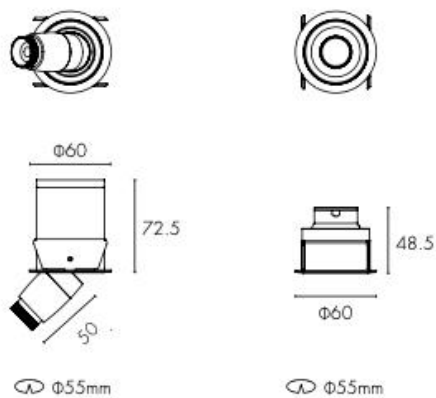
PRODUCT CODE	POWER (W)	LUMEN (lm)	CRI (Ra/R9)	SDCM	BEAM ANGLE (°)	UGR	DIMENSION
DSRA-3	3W	150lm	Ra>90/R9>50	<5	10°/15°/24°/36°	<9	D47*35mm
DSRA-9	9W	500lm	Ra>90/R9>50	<5	10°/15°/24°/36°	<9	D47*96mm
DSRA-9	9W	360lm	Ra>90/R9>50	<5	10°/15°/24°/36°	<9	D58*98mm
DSRA-12	12W	720lm	Ra>90/R9>50	<5	15°/24°/36°	<9	D86*85.5mm
DSRA-12	12W	720lm	Ra>90/R9>50	<5	12°/24°/36°	<9	D40*179mm



Zoom



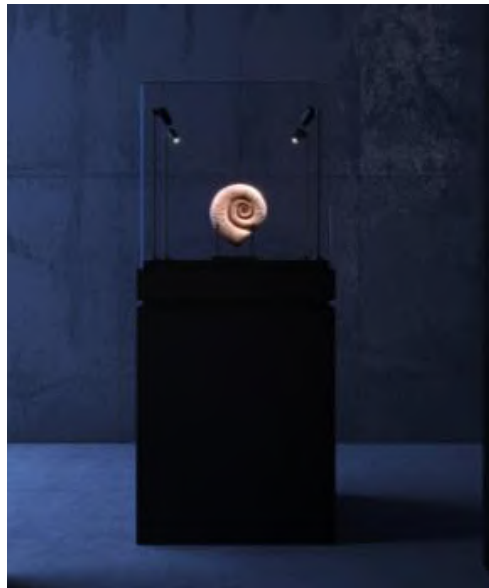
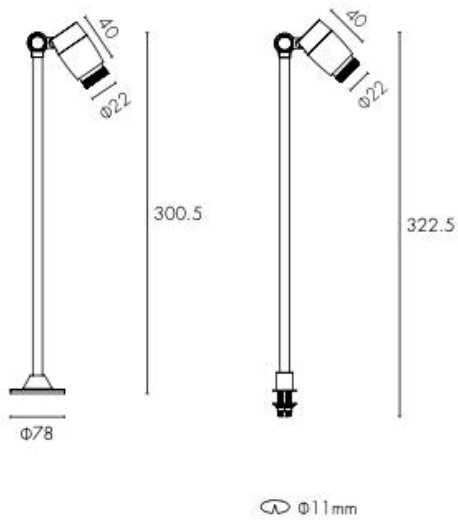
PRODUCT CODE	POWER (W)	LUMEN (lm)	CRI (Ra/R9)	SDCM	BEAM ANGLE (°)	UGR	DIMENSION
DZ-3	3W	100lm	Ra>90/R9>50	<5	10° to 36°	<9	D60*72.5mm
DZ-3	3W	100lm	Ra>90/R9>50	<5	10° to 36°	<9	D60*48.5mm



Zoom Pole



PRODUCT CODE	POWER (W)	LUMEN (lm)	CRI (Ra/R9)	SDCM	BEAM ANGLE (°)	UGR	DIMENSION
DZP-3	3W	100lm	Ra>90/R9>50	<5	10° to 36°	<9	D22*300.5mm
DZP-3	3W	100lm	Ra>90/R9>50	<5	10° to 36°	<9	D22*322.5mm



Cautions:

- Please read the contents on the box and label carefully before installation.
- Check if the specification e.g. voltage, current etc meet the requirements.
- Power must be cut off before installation, replacement and cleaning.
- Don't touch the luminaire while it is on or immediately after turning it off. Please wait 15 min. to cool down.

Remarks:

- Power consumption tolerance: +/- 10%.
- Luminous flux & cd tolerance: +/-10%.

*Photos, descriptions and details of the product are subject to change without previous notice.