

## LED Wall Washer Downlight



### Features:

- Ideal vertical illumination
- Sustainable ambient lighting more effective than horizontal light
- First class optic lens
- Optimizes the spatial impression of brightness
- Offering even & soft light
- Energy saving, lower maintenance cost
- UV & IR free light
- CRI>90
- Titanium heatsink + white trim
- Aluminum made, PMMA or Ledil lens
- Bridgelux or CREE LED
- 100-240V
- 0° - 180° horizontal rotation
- 60°

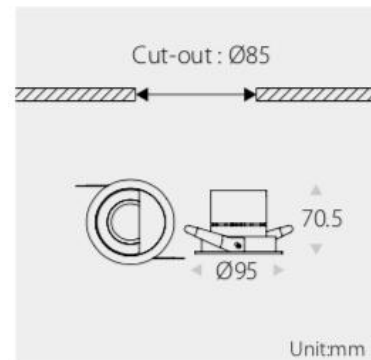
### Application:

- Stores
- Shopping Centers
- Restaurants
- Bars
- Hotels
- Galleries
- Museums

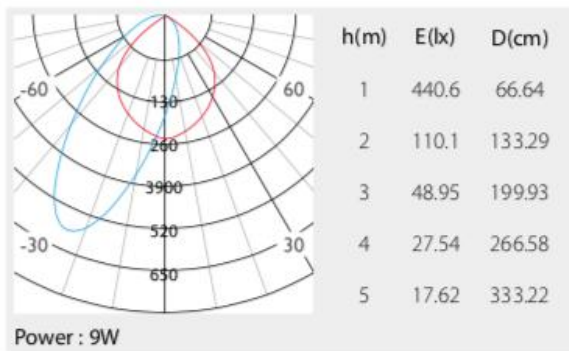


### General Characteristics:

Item	Watt (W)	Luminous Flux (lm)	CCT (K)	Size (mm)	Cutout (mm)	Output Voltage	Output Current
WW-9W	9W	700lm	2700K-4000K	90x70.5mm	85mm	36V	210mA



9W



#### Cautions:

- Please read the contents on the box and label carefully before installation.
- Check if the specification e.g. voltage, current etc meet the requirements.
- Power must be cut off before installation, replacement and cleaning.
- Don't touch the bulb/luminaire while it is on or immediately after turning it off. Please wait 15 min. to cool down.

#### Remarks:

- Power consumption tolerance: +/- 10%.
- Luminous flux tolerance: +/-10%.
- Ambient temp.: -20°C + 40°C

\*Photos, descriptions and details of the product are subject to change without previous notice.

## LED Wall Washer Track Light



### Features:

- 30W track light for large spaces with uniform spot illumination
- CCT & dimming adjustable by switch
- Different optical effects available
- Pure aluminum, excellent heat dissipation
- Beam angles 15°, 24°, 38°, 55°
- High CRI90+
- 0° to 90° projection angle adjustable
- 0° to 355° horizontal rotation
- White or black color
- 100-240V
- PF0.9
- IP20

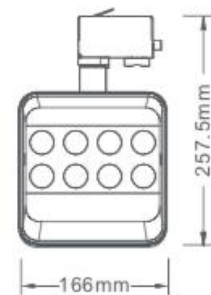
### Applications:

- Stores
- Museums
- Galleries
- Exhibitions
- Offices



**General Characteristics:**

PRODUCT CODE	POWER (W)	VOLTAGE	LUMEN OUTPUT	CCT (K)	BEAM ANGLE	PRODUCT DIMENSION
TL-WWTL	30W	110-240V/50-60Hz	2400lm	2700K-4000K	15°, 24°, 38°, 55°	166*257.5mm



**Cautions:**

- Please read the contents on the box and label carefully before installation.
- Check if the specification e.g. voltage, current etc meet the requirements.
- Power must be cut off before installation, replacement and cleaning.
- Don't touch the luminaire while it is on or immediately after turning it off. Please wait 15 min. to cool down.

**Remarks:**

- Power consumption tolerance: +/- 10%.
- Luminous flux & cd tolerance: +/-10%.

\*Photos, descriptions and details of the product are subject to change without previous notice.