

## LED Floodlight

### Features:

- Perfect solution for outdoor illumination
- Simple housing design, easy to install and replace
- Aluminum body material
- Lifetime of up to 30,000 hrs
- Overall cooling design, low light attenuation
- Up to 80% energy saving
- Lower maintenance cost
- UV & IR free light
- CRI>80
- IP65
- IK08



### Applications:

- Industrial area
- Warehouse
- Park
- Facade

### General Characteristics:

Item	Watt	Luminous Flux (lm)	CRI (Ra)	CCT (K)	Dimension WxH (mm)	Voltage (V)	PF	Beam Angle
F25	25W	1900-2000	80	3000-6500K	168x189	120/220V	0.9	90
F50	50W	4000-4400	80	3000-6500K	240x254	120/220V	0.9	90
F80	80W	7000-7700	80	3000-6500K	300x260	120/220V	0.9	90
F120	120W	11000-11500	80	3000-6500K	360x312	120/220V	0.9	90
F150	150W	13500-13700	80	3000-6500K	360x312	120/220V	0.9	90
F200	200W	18000-19000	80	3000-6500K	360x480	220-240V	0.9	90
F250	250W	22500-23000	80	3000-6500K	360x625	220-240V	0.9	90
F500	500W	40000	80	3000-6500K	720x625	220-240V	0.9	90

#### Cautions:

- Please read the contents on the box and label carefully before installation.
- Check if the specification e.g. voltage, current etc meet the requirements.
- Power must be cut off before installation, replacement and cleaning.
- Don't touch while it is on or immediately after turning it off. Please wait 15 min. to cool down.

#### Remarks:

- Power consumption tolerance: +/- 10%.
- Luminous flux & cd tolerance: +/-10%
- Operation temp. : -40°C – 50°C



## LED Floodlight O Series



### Features:

- Precise lenses offering maximum light intensity
- Symmetrical distribution offering uniform light output
- Rugged low-profile die-cast aluminum housing & UV stabilized polyester powder paint finishing for durability & corrosion resistance
- Can be used as high or low bay light, floodlight, tunnel light or sports light
- Suitable for indoors & outdoors
- Individual bar design, easy for installation, maintenance & replacement
- Power range 40W to 400W
- 1-10V, PWM, Timer dimming, 3 Timer modes, Dim to Off, available upon request
- High performance driver features over voltage, under voltage, short circuit & over temperature
- 100-277V 50/60Hz
- -40°C to 50°C operating temperature range
- IP65 & IK08
- 3000K-6500K
- Up to 170lm/W
- CRI70, 80, 90 optional
- PF0.9

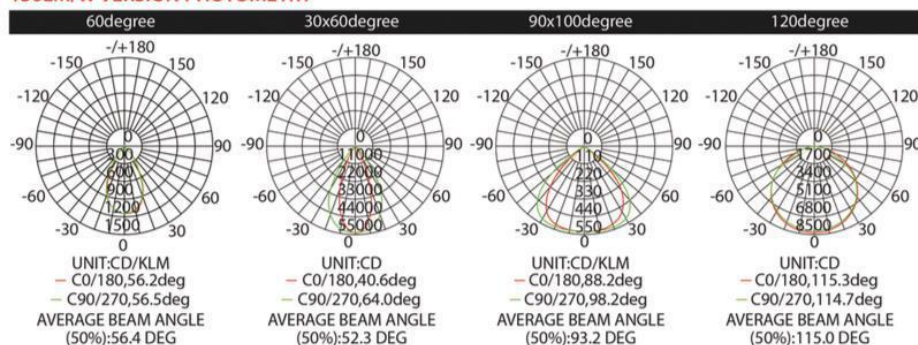
### Applications:

- |                |                  |
|----------------|------------------|
| - Large areas  | - Halls          |
| - Parking lots | - Warehouses     |
| - Sports field | - Ports          |
| - Tunnels      | - Train stations |

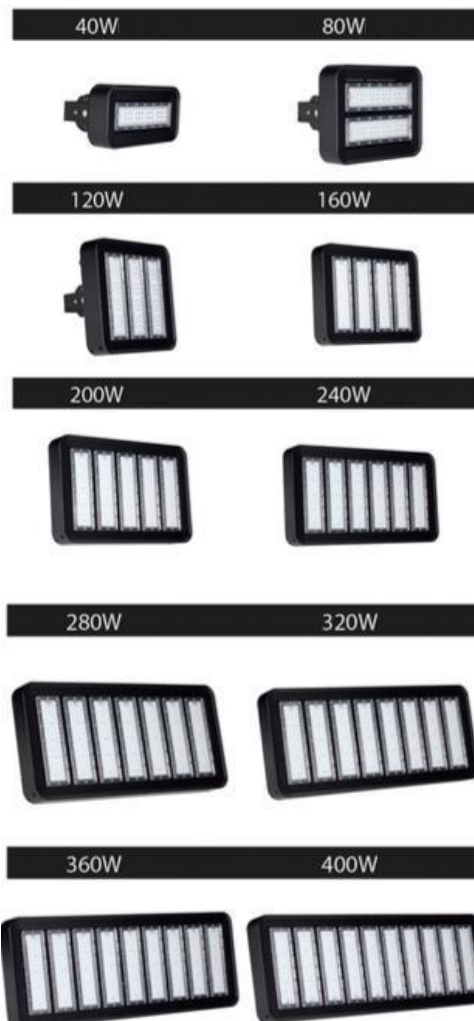
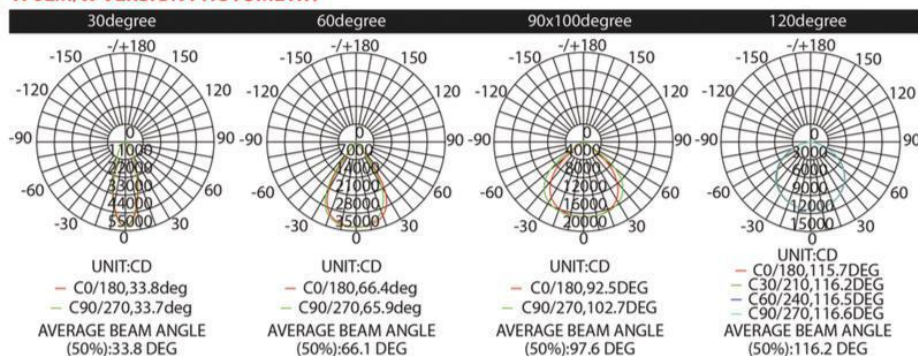
**General Characteristics:**

PRODUCT CODE	POWER (W)	VOLTAGE	Lumen Output	CCT (K)	FIXTURE DIMENSION	NW	MAX CURRENT
TFSS-40W	40	100-277V 50/60Hz	6400	3000K-6500K	30x15x18cm	4 kgs	0.45A
TFSS-80W	80	100-277V 50/60Hz	13000	3000K-6500K	30x23x18cm	5 kgs	0.9A
TFSS-120W	120	100-277V 50/60Hz	20000	3000K-6500K	30x31x20cm	6 kgs	1.35A
TFSS-160W	160	100-277V 50/60Hz	27000	3000K-6500K	30x39x20cm	7 kgs	1.8A
TFSS-200W	200	100-277V 50/60Hz	33000	3000K-6500K	30x47x20cm	9 kgs	2.25A
TFSS-240W	240	100-277V 50/60Hz	40000	3000K-6500K	30x55x20cm	10 kgs	2.66A
TFSS-280W	280	100-277V 50/60Hz	47000	3000K-6500K	30x64x20cm	11 kgs	3.1A
TFSS-320W	320	100-277V 50/60Hz	54000	3000K-6500K	30x72x20cm	12 kgs	3.5A
TFSS-360W	360	100-277V 50/60Hz	61000	3000K-6500K	30x80x20cm	15 kgs	4.1A
TFSS-400W	400	100-277V 50/60Hz	68000	3000K-6500K	30x88x20cm	17 kgs	4.4A

**130LM/W VERSION PHOTOMETRY**



**170LM/W VERSION PHOTOMETRY**



**Remarks:**

- 10% +/- tolerance: wattage, CCT, lumen output.

Photos, description & details are subject to change without previous notice.

## LED Floodlight Stadium



### Features:

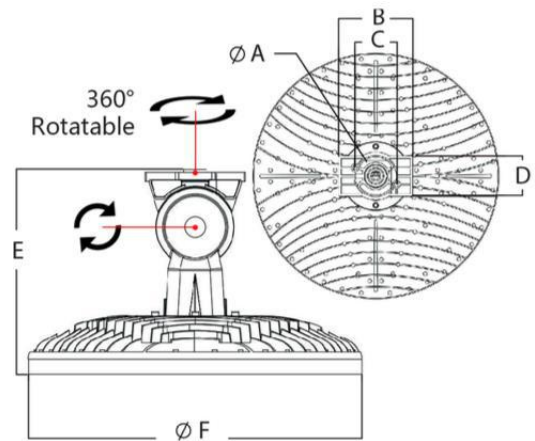
- PC lens providing full light cutting design and light range to a greater extent
- Special design to optimize air convection quality & strengthen heat dissipation to ensure lifespan
- Multiple methods of installation & power supply placement to meet different requirements (internal or external power supply)
- Special bracket design to support more than the weight of the lamp body
- Superior high output designed for exterior lighting
- High efficiency with unique optical design, eliminating glare and minimal impact on performance
- Heavy duty die-casting aluminum housing
- Rugged, weather tight design & 3D vibration rating, ensuring durability in harsh environments
- Driver compartment separated from the fixture
- Light engine thermally isolated
- UV stabilized polyester powder paint finishing
- Horizontal & vertical aiming
- -40°C to 50°C operating temperature range
- 1-10V dimming optional
- 3000K to 6500K
- 15°, 30°, 60° light distributions
- CRI70, 80, 90 optional
- IP66 & IK10
- 50000hrs & 5 years warranty

### Applications:

- Large areas
- Parking lots
- Sports field
- Airports
- Construction sites
- Golf courts
- Ports
- Train stations

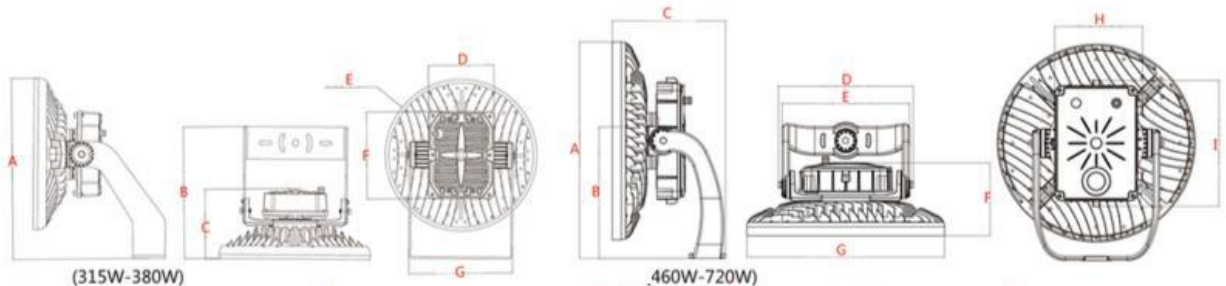
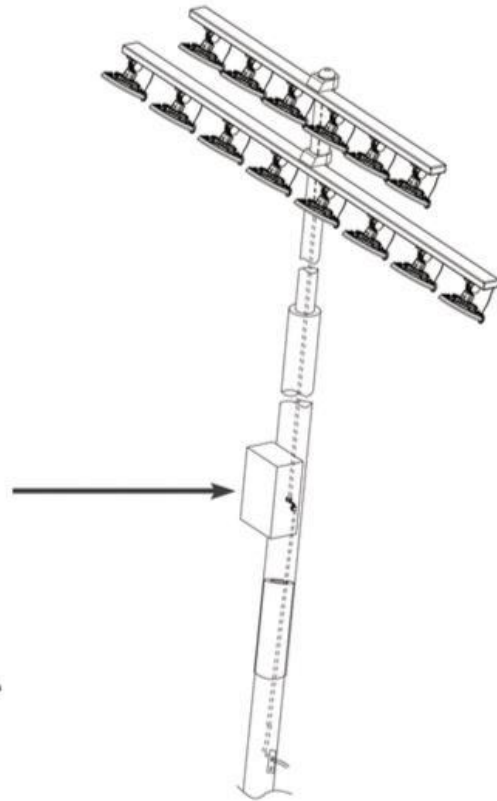
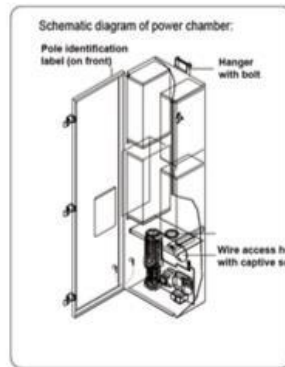
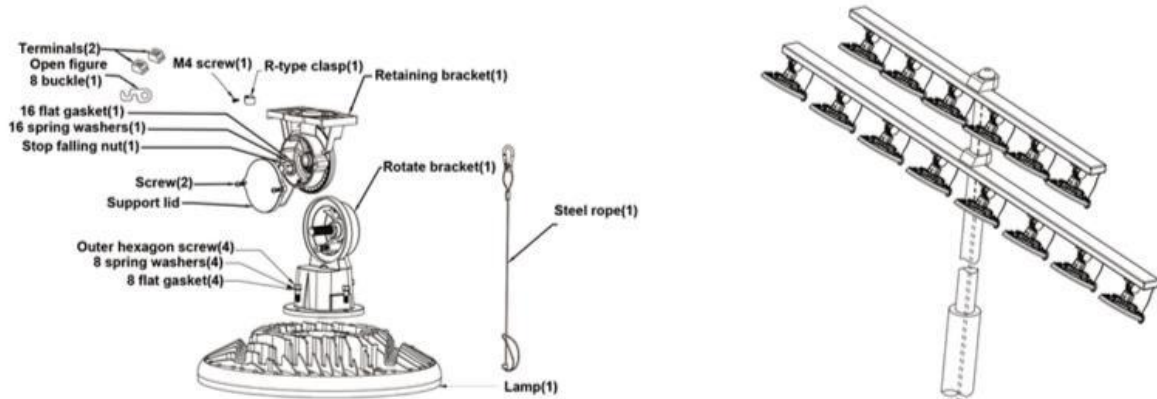
**General Characteristics:**

PRODUCT CODE	POWER (W)	VOLTAGE	Lumen Output	CCT (K)	FIXTURE DIMENSION	NW	PF
TFSR-315W	315	100-277V 50/60Hz	51000	3000K-6500K	46.8x46.8x34.3cm	14 kgs	0.9
TFSR-380W	380	100-277V 50/60Hz	61000	3000K-6500K	46.8x46.8x34.3cm	14 kgs	0.9
TFSR-460W	460	100-277V 50/60Hz	75000	3000K-6500K	55x55x33.6cm	18 kgs	0.9
TFSR-580W	580	100-277V 50/60Hz	95000	3000K-6500K	55x55x33.6cm	18 kgs	0.9
TFSR-720W	720	100-277V 50/60Hz	112000	3000K-6500K	55x55x33.6cm	18 kgs	0.9



	A	B	C
315W 380W	7.3cm/2.9"	16.5cm/6.5"	9.3cm/3.6"
	D	E	F
	9.0cm/3.5"	34.3cm/13.4"	46.8cm/18.3"
460W 580W 720W	A	B	C
	7.3cm/2.9"	16.5cm/6.5"	9.3cm/3.6"
	D	E	F
	9.0cm/3.5"	33.6cm/13.2"	55.0cm/21.6"





(315W-380W)  
A: 55.96CM(22.0"), B: 40.68CM(16.0"), C: 21.4CM(8.4"),  
D: 20.3CM(8"), E: 46.8CM(18.4"), F: 26.8CM(10.5"), G: 32.01CM(12.6")

(460W-720W)  
A: 60.2CM(23.7"), B: 36.6CM(14.4"), C: 31.48CM(12.4"), D: 37.5CM(14.7"),  
E: 35.4CM(13.9"), F: 20.25CM(8.0"), G: 55.0CM(16"), H: 24.5CM(9.6"), I: 35.1CM(13.8")

Remarks:

- 10% +/- tolerance: wattage, CCT, lumen output.

Photos, description & details are subject to change without previous notice.

## LED Floodlight High Power



### Features:

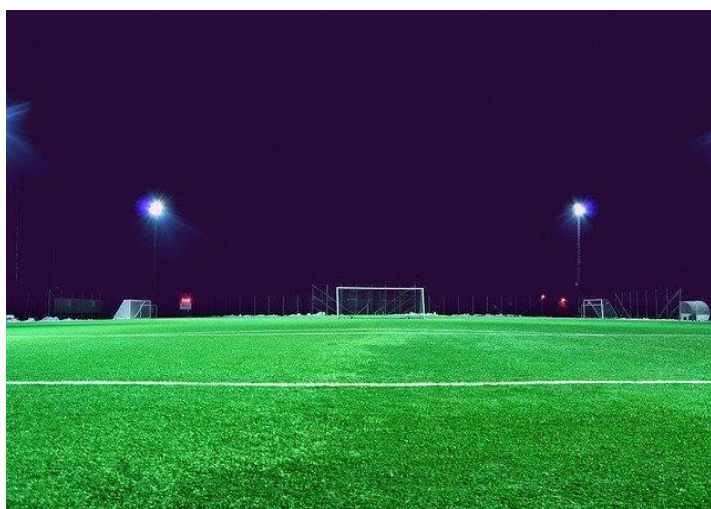
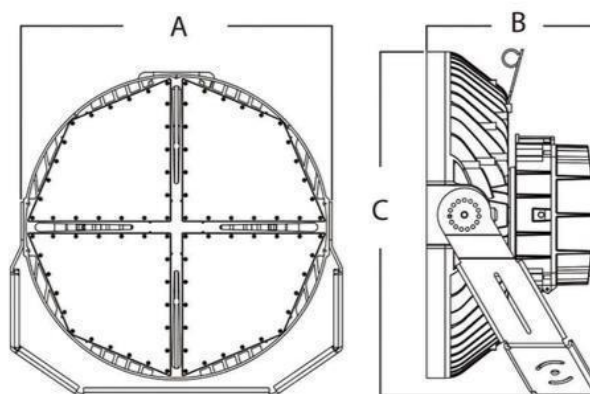
- Superior high output designed for exterior lighting
- High efficiency with unique optical design, eliminating glare and minimal impact on performance
- Available in different flood distributions to maximize performance: 10°, 15°, 25°, 30°, 45°, 60°, 90°
- Heavy duty die-casting aluminum housing
- Rugged, weather tight design & 3D vibration rating, ensuring durability in harsh environments
- Driver compartment can be installed onto or separate from fixture
- Light engine thermally isolated
- UV stabilized polyester powder paint finishing
- Horizontal & vertical aiming
- -40°C to 50°C operating temperature range
- 1-10V dimming optional
- 3000K to 6500K
- CRI70, 80, 90 optional
- IP66 & IK10
- 50000hrs & 5 years warranty
- Up to 160lm/W

### Applications:

- Large areas
- Parking lots
- Sports field
- Airports
- Construction sites
- Golf courts
- Ports
- Train stations

**General Characteristics:**

PRODUCT CODE	POWER (W)	VOLTAGE	Lumen Output	CCT (K)	FIXTURE DIMENSION	NW	PF
TFSHP-750W	750	100-277V 50/60Hz	111000	3000K-6500K	54.5x54.5x27.5cm	27 kgs	0.9
TFSHP-960W	960	100-277V 50/60Hz	150000	3000K-6500K	54.5x54.5x27.5cm	27 kgs	0.9



Remarks:

- 10% +/- tolerance: wattage, CCT, lumen output.

Photos, description & details are subject to change without previous notice.