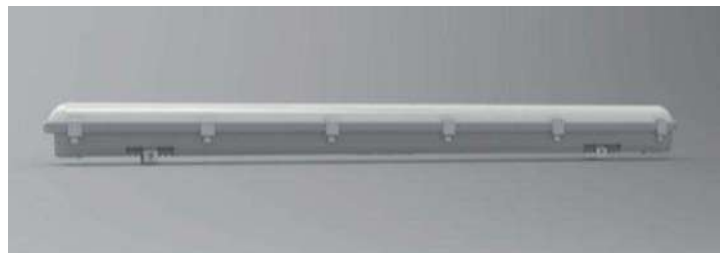


## LED IP65 Triproof Fixture



### Benefits:

- Easy & fast installation
- Tool-free disassembly
- Durable & impact resistant
- Solid & high quality stainless steel clips
- IP65, IK10, PF0.9
- Energy saving
- Durability
- Lower maintenance costs
- UV & IR free light
- Lifetime up to 30,000 hrs
- CRI80
- Using Lumileds & high quality driver
- Also available extra: DIP switch, emergency, 5.8 microwave sensor, dimmable

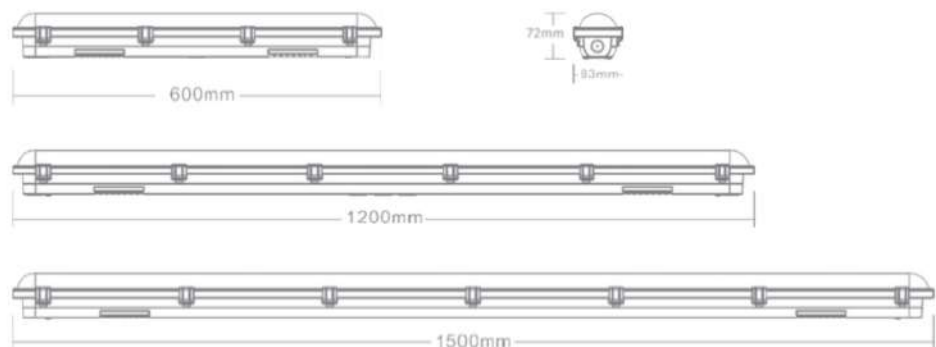


- Housing: Polycarbonate, impact-resistant
- Lamp cover: Polycarbonate with integrated LED
- Seals: Age-resistant silicone seals
- Components: High power LED & driver
- Assembly: Variable mounting distances with PRACHT-CLIP-SYSTEM
- Suitable: Ceiling, surface-mount installation



### General Characteristics:

ITEM	WATT (W)	VOLTAGE (V)	FREQUENCY (HZ)	KELVIN (K)	LUMEN (Lm)	Beam Angle	Dimension LxWxH (mm)
T8D-20	20	100-277	50/60	3000-6500	2000	120	600x83x72
T8D-40	40	100-277	50/60	3000-6500	4000	120	1200x83x72
T8D-56	56	100-277	50/60	3000-6500	5600	120	1500x83x72



#### Cautions:

- Please read the contents on the box and label carefully before installation
- Check if the specification e.g. voltage, current etc meet the requirements
- Power must be cut off before installation, replacement and cleaning
- Don't touch the bulb/luminaire while it is on or immediately after turning it off. Please wait 15 min. for fixture to cool down.

#### Remarks:

- Power consumption tolerance: +/- 10%.
- Luminous flux tolerance: +/-10%
- Operating temperature: -20C to 40C