

LED Wall Washer Downlight



Features:

- Ideal vertical illumination
- Sustainable ambient lighting more effective than horizontal light
- First class optic lens
- Optimizes the spatial impression of brightness
- Offering even & soft light
- Energy saving, lower maintenance cost
- UV & IR free light
- CRI>90
- Titanium heatsink + white trim
- Aluminum made, PMMA or Ledil lens
- Bridgelux or CREE LED
- 100-240V
- 0° - 180° horizontal rotation
- 60°

Application:

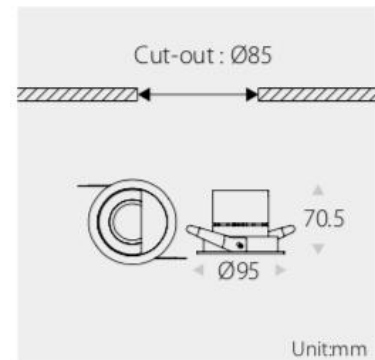
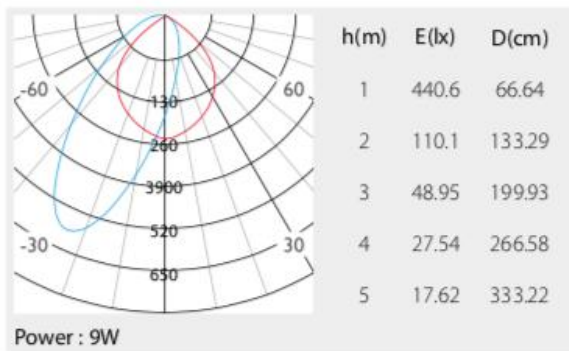
- Stores
- Shopping Centers
- Restaurants
- Bars
- Hotels
- Galleries
- Museums



General Characteristics:

Item	Watt (W)	Luminous Flux (lm)	CCT (K)	Size (mm)	Cutout (mm)	Output Voltage	Output Current
WW-9W	9W	700lm	2700K-4000K	90x70.5mm	85mm	36V	210mA

9W



Cautions:

- Please read the contents on the box and label carefully before installation.
- Check if the specification e.g. voltage, current etc meet the requirements.
- Power must be cut off before installation, replacement and cleaning.
- Don't touch the bulb/luminaire while it is on or immediately after turning it off. Please wait 15 min. to cool down.

Remarks:

- Power consumption tolerance: +/- 10%.
- Luminous flux tolerance: +/-10%.
- Ambient temp.: -20°C + 40°C

*Photos, descriptions and details of the product are subject to change without previous notice.