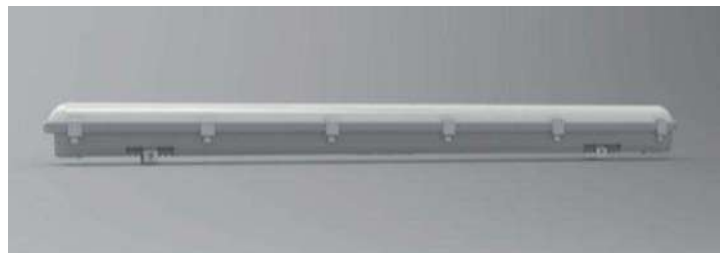


LED IP65 Triproof Fixture

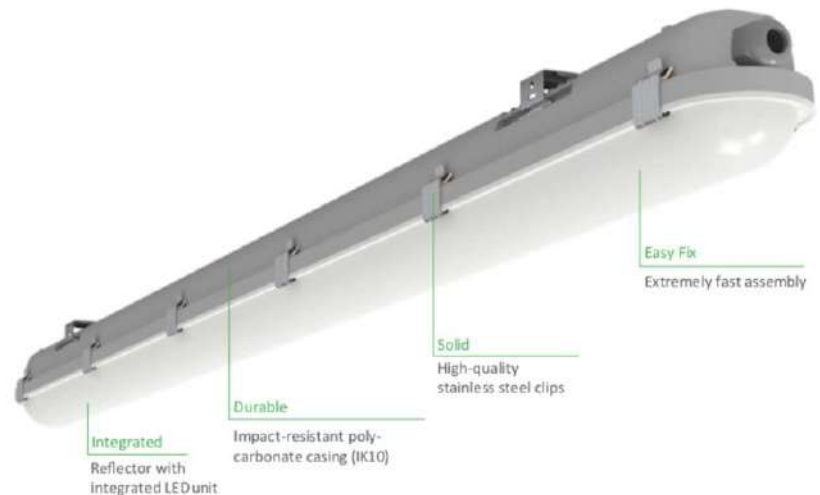


Benefits:

- Easy & fast installation
- Tool-free disassembly
- Durable & impact resistant
- Solid & high quality stainless steel clips
- IP65, IK10, PF0.9
- Energy saving
- Durability
- Lower maintenance costs
- UV & IR free light
- Lifetime up to 30,000 hrs
- CRI80
- Using Lumileds & high quality driver
- Also available extra: DIP switch, emergency, 5.8 microwave sensor, dimmable

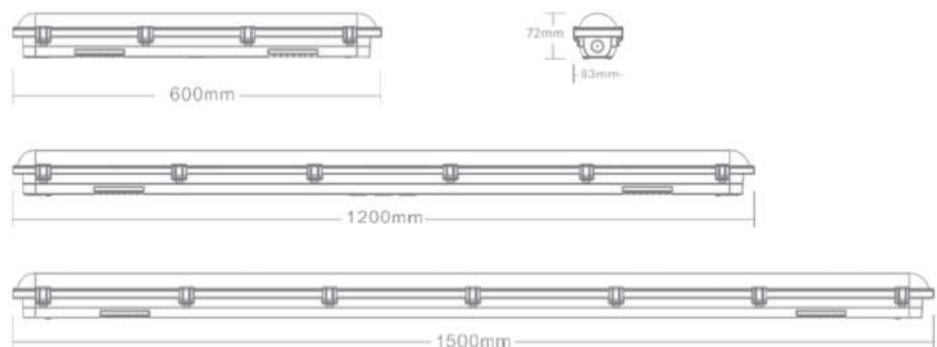


- Housing: Polycarbonate, impact-resistant
- Lamp cover: Polycarbonate with integrated LED
- Seals: Age-resistant silicone seals
- Components: High power LED & driver
- Assembly: Variable mounting distances with PRACHT-CLIP-SYSTEM
- Suitable: Ceiling, surface-mount installation



General Characteristics:

ITEM	WATT (W)	VOLTAGE (V)	FREQUENCY (HZ)	KELVIN (K)	LUMEN (Lm)	Beam Angle	Dimension LxWxH (mm)
T8D-20	20	100-277	50/60	3000-6500	2000	120	600x83x72
T8D-40	40	100-277	50/60	3000-6500	4000	120	1200x83x72
T8D-56	56	100-277	50/60	3000-6500	5600	120	1500x83x72



Cautions:

- Please read the contents on the box and label carefully before installation
- Check if the specification e.g. voltage, current etc meet the requirements
- Power must be cut off before installation, replacement and cleaning
- Don't touch the bulb/luminaire while it is on or immediately after turning it off. Please wait 15 min. for fixture to cool down.

Remarks:

- Power consumption tolerance: +/- 10%.
- Luminous flux tolerance: +/-10%
- Operating temperature: -20C to 40C

LED Linear Light IP65 Tri-proof



Features:

- LED IP65 tri-proof linear light
- Linkable & non-linkable version
- Linkable up to 6 pcs
- From 15W to 60W
- Up to 80% energy saving
- Lower maintenance cost
- UV & IR free light
- CRI>80
- 100lm/W
- 2700K to 6500K
- PC cover + PC body
- 100°

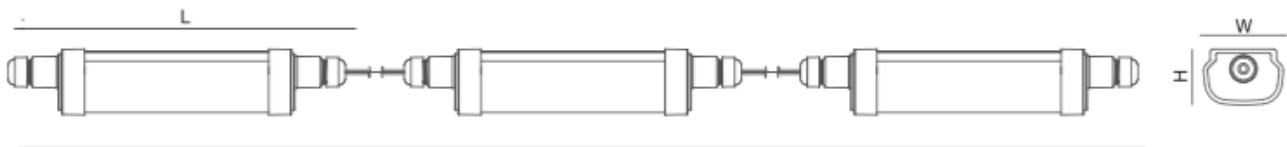
Applications:

- Schools
- Offices
- Commercial stores
- Hotels
- Supermarkets
- Banks



General Characteristics:

PRODUCT CODE	POWER (W)	VOLTAGE	Lumen Output (lm)	CCT (K)	CRI	PRODUCT DIMENSION	TYPE
TL-TL15W	15W	110-240V/50-60Hz	1600	2700K-6500K	80	L550xW53xH37mm	Non-linkable
TL-TL30W	30W	110-240V/50-60Hz	3200	2700K-6500K	80	L1550xW53xH37mm	Non-linkable
TL-TL22W	22W	110-240V/50-60Hz	2300	2700K-6500K	80	L550xW68xH43mm	Non-linkable
TL-TL45W	45W	110-240V/50-60Hz	4800	2700K-6500K	80	L1550xW68xH43mm	Non-linkable
TL-TL30W	30W	110-240V/50-60Hz	3200	2700K-6500K	80	L550xW83xH58mm	Non-linkable
TL-TL60W	60W	110-240V/50-60Hz	6500	2700K-6500K	80	L1550xW83xH58mm	Non-linkable
TL-TL15W	15W	110-240V/50-60Hz	1600	2700K-6500K	80	L590xW53xH37mm	Linkable 6 pcs max
TL-TL30W	30W	110-240V/50-60Hz	3200	2700K-6500K	80	L590xW53xH37mm	Linkable 6 pcs max
TL-TL22W	22W	110-240V/50-60Hz	2200	2700K-6500K	80	L590xW68xH43mm	Linkable 6 pcs max
TL-TL45W	45W	110-240V/50-60Hz	4700	2700K-6500K	80	L1190xW68xH43mm	Linkable 6 pcs max
TL-TL30W	30W	110-240V/50-60Hz	3200	2700K-6500K	80	L590xW83xH58mm	Linkable 6 pcs max
TL-LL60W	60W	110-240V/50-60Hz	6400	3000K-5000K	80	L1190xW83xH58mm	Linkable 6 pcs max



1X6 (max)

Caution:

- Please read the contents on the box and label carefully before installation.
- Check if the specification e.g. voltage, current etc meet the requirements.
- Power must be cut off before installation, replacement and cleaning.
- Don't touch the luminaire while it is on or immediately after turning it off.

Remarks:

- Power consumption tolerance: +/- 10%
- Luminous flux & cd tolerance: +/-10%

*Photos, descriptions and details of the product are subject to change without previous notice.