

## LED Light Posts

- LEDs available in 3000K / 4000K / 6000K
- CRI>80
- Die-cast aluminum body
- 120V & 220V OR 100-240V upon request
- Silver grey, black, white
- PF0.9



### LP125

6W 500lm IP54

125x125x500mm OR 800mm



### LP150

6W 500lm IP54

125x125x500mm OR 800mm



### LP175

10W 900lm OR 15W

E27 socket also available

1300lm IP54

75x75x750mm

Opal PC diffuser

**LP1913**

E27 socket (w/out bulb) IP54  
80x80x440mm  
Opal PC diffuser



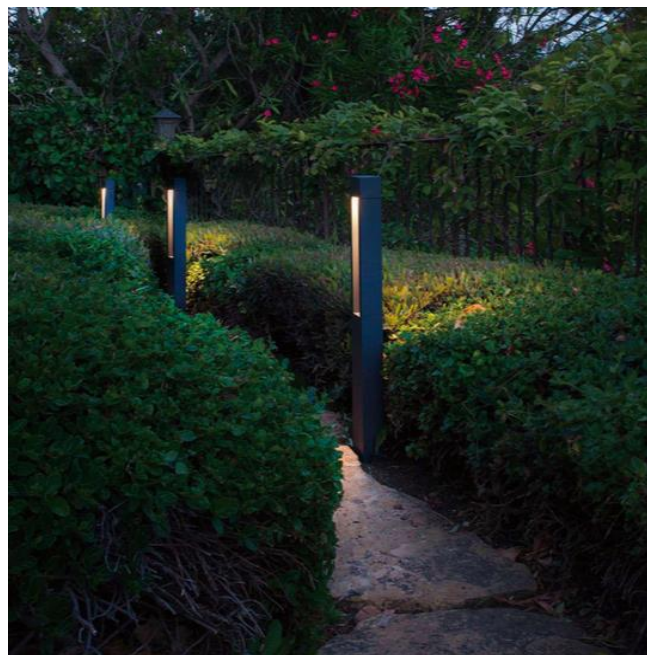
**LP8022**

10W 900lm IP54  
143x650mm  
Glass diffuser



**LP03 Round & LP04 Square**

6W 500lm IP54  
Round 150x650mm OR 850mm  
Square 150x150x650mm OR 850mm  
PC diffuser



**LP2019**

10W 900lm IP65  
120x80x1500mm OR  
1000mm OR 860mm OR  
650mm

**LP1386**

6W 500lm IP54

140x110x300mm OR 500mm

PC diffuser



**LP1376**

8W 700lm IP54

210x300mm OR 600mm

PC diffuser



**LP390**

90x250mm 6W 400lm IP54

90x650mm 6W 400lm IP54

Tempered glass



**LP01**

6W COB 500lm IP54 OR IP65  
150x150x600mm  
150x150x800mm  
150x150x1000mm  
Glass diffuser



Remarks:

- 10% +/- tolerance: wattage, CCT, lumen output
- Photos, description & details are subject to change without previous notice



## LED SOLAR Light Post

### Features:

- Die-cast aluminum cover & extruded aluminum pole
- Surface finishing with anti-aging electrostatic spray processing
- PC diffuser
- Solar control with 2W solar plate by sensor or control light output
- Normal 12W 110-240V PF0.9 also available upon request
- Grey or black color
- LEDs available in 2700K / 3000K / 4000K / 5700K
- CRI>80
- IP65
- IK08
- Lithium battery 7.4V/2200mAh
- Charging time 9.5 hours to full capacity
- Discharge time 3.5 continuous hours
- With 3 different operation modes available



### General Characteristics:

PRODUCT CODE	POWER (W)	VOLTAGE	Lumen Output	CCT (K)	FIXTURE DIMENSION	NW
LP12W	12W	110-240V 50/60Hz	720	2700K-5700K	190x175x650mm	2.8 kgs
LP3WS	3W	Solar Plate	200	2700K-5700K	190x175x650mm	2.6 kgs

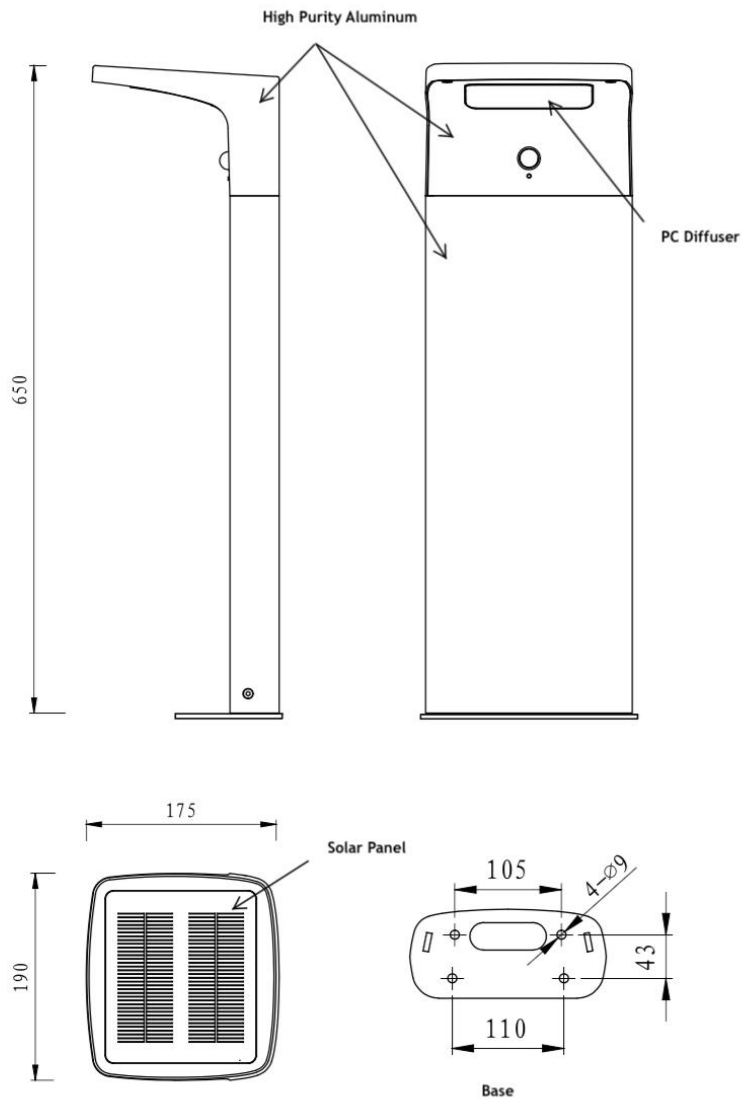


### OPERATION MODES

**Mode 1:** Continuous operation with 15-20lm\* at dusk, motion detector is inactive.

**Mode 2:** Continuous operation with 15-20lm\* at dusk, increasing to 180-200lm as the detector senses any movement.

**Mode 3:** Motion sensor detector set to operate with full 180-200lm when movement is detected for 25 seconds.



#### Remarks:

- 10% +/- tolerance: wattage, CCT, lumen output.

- Photos, description & details are subject to change without previous notice.

\*Efficiency can be increased to 50lm by using transparent diffuser, reducing the working/operation hours.