

LED Light Posts

- LED light posts for outdoor illumination
- LEDs available in 3000K / 4000K / 6000K
- RGBY colors also available upon request
- CRI>80
- Die-cast aluminum body
- Grey, black, white
- PF0.9

LPJ09

3W IP65 12-24V
D77xH257mm



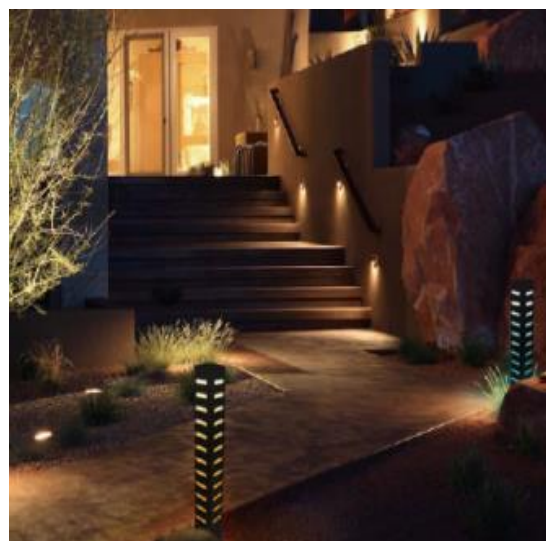
LPJ10

5W IP65 12-24V
D55xH250mm



LPJ11

10W IP65 12V OR 100-240V
L70xW70xH465mm



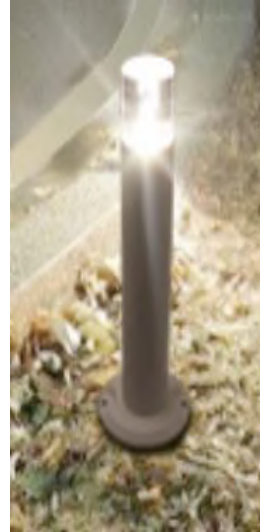
LPJ12

12W IP65 100-240V
D130xH415mm



LPJ13

12W IP65 100-240V
D130xH415mm



LPJ14

6W IP65 100-240V
D100xH350mm



LPJ15

6W IP65 100-240V
D100xH350mm



LPJ16

6W IP65 100-240V
D90xH650mm



LPJ17

6W IP65 100-240V
D150xH600mm



Remarks:

- 10% +/- tolerance: wattage, CCT, lumen output.
- Photos, description & details are subject to change without previous notice.

LED SOLAR Light Post

- Die-cast aluminum cover & extruded aluminum pole
- Surface finishing with anti-aging electrostatic spray processing
- PC diffuser
- Solar control with 2W solar plate by sensor or control light output
- Normal 12W 110-240V PF0.9 also available upon request
- Grey or black color
- LEDs available in 2700K / 3000K / 4000K / 5700K
- CRI>80
- IP65
- IK08
- Lithium battery 7.4V/2200mAh
- Charging time 9.5 hours to full capacity
- Discharge time 3.5 continuous hours
- With 3 different operation modes available



General Characteristics:

PRODUCT CODE	POWER (W)	VOLTAGE	Lumen Output	CCT (K)	FIXTURE DIMENSION	NW
LP12W	12W	110-240V 50/60Hz	720	2700K-5700K	190x175x650mm	2.8 kgs
LP3WS	3W	Solar Plate	200	2700K-5700K	190x175x650mm	2.6 kgs

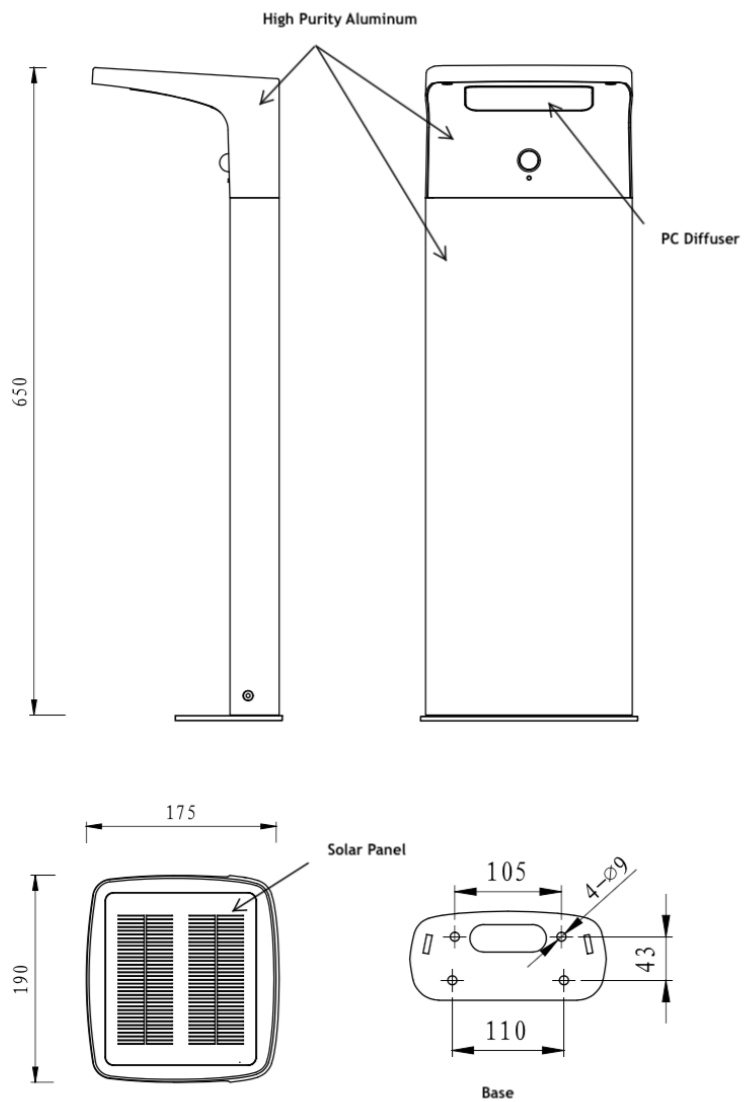


OPERATION MODES

Mode 1: Continuous operation with 15-20lm* at dusk, motion detector is inactive.

Mode 2: Continuous operation with 15-20lm* at dusk, increasing to 180-200lm as the detector senses any movement.

Mode 3: Motion sensor detector set to operate with full 180-200lm when movement is detected for 25 seconds.



Remarks:

- 10% +/- tolerance: wattage, CCT, lumen output.

- Photos, description & details are subject to change without previous notice.

*Efficiency can be increased to 50lm by using transparent diffuser, reducing the working/operation hours.