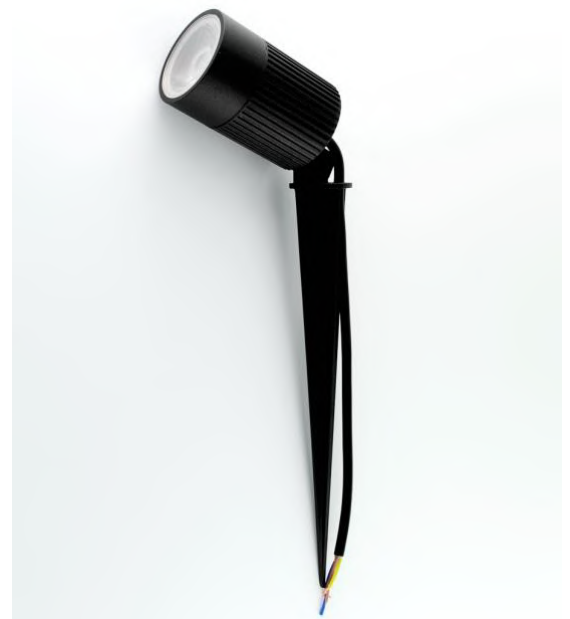


LED Garden Spot Light



Features:

- Perfect light to illuminate outdoors
- Simple design, easy to install & replace
- Aluminum body material with integrated driver & clear lens
- Up to 80% energy saving
- Lower maintenance cost
- UV & IR free light
- 8W, 10W, 15W, 30W
- 3000K to 6000K or RGB
- CRI>80
- IP67
- IK08
- PF0.9
- 15°, 24°, 60°
- Spike included
- Black color
- Extra cap & colored filters available upon request
- Available with AC100-240V, AC/DC12-24V or for solar panels
- AC/DC12-24 8W & 10W with UL

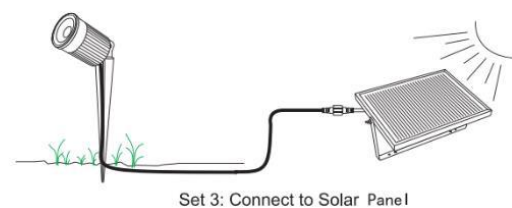
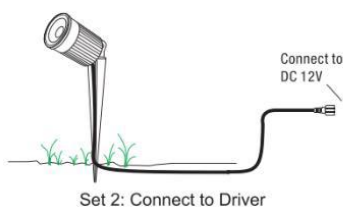
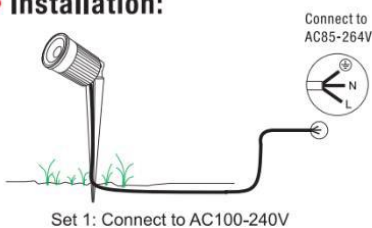


General Characteristics:

Item	Watt	Voltage (V)	Lum. Flux (lm)	CCT (K)	D(mm)	H(mm)	Spike(mm)
GSPL116-8W	8W	100-277V	550-600	3000-6000K	56	85.5	238
GSPL116-10W	10W	100-277V	750-800	3000-6000K	56	85.5	238
GSPL116-15W	15W	100-277V	1000-1050	3000-6000K	70	90	260
GSPL116-30W	30W	100-277V	2050-2100	3000-6000K	78	123	260
GSPL116-8W	8W	12-24V	500-550	3000-6000K	56	85.5	238
GSPL116-10W	10W	12-24V	700-750	3000-6000K	56	85.5	238
GSPL116-15W	15W	12-24V	950-1000	3000-6000K	70	90	260
GSPL116-30W	30W	12-24V	2000-2050	3000-6000K	78	123	260



• Installation:



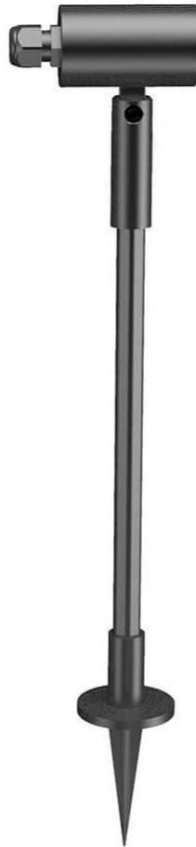
Cautions:

- Please read the contents on the box and label carefully before installation.
- Check if the specification e.g. voltage, current etc meet the requirements.
- Power must be cut off before installation, replacement and cleaning.
- Don't touch the luminaire while it is on or immediately after turning it off.

Remarks:

- Power consumption tolerance: +/- 10%.
- Luminous flux & cd tolerance: +/-10%

LED Garden Spot Light



Features:

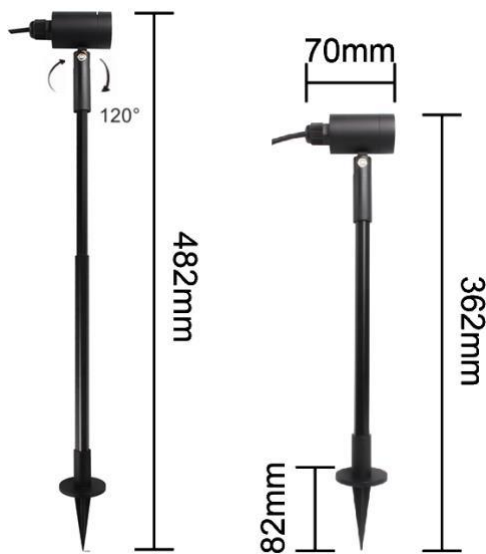
- LED fixture for garden & landscape illumination
- With adjustable pole length
- 120° head rotation
- IP67
- Low power consumption & heat radiation
- Elegant design with solid & corrosion resistant Aluminum structure
- Lifespan 30000 hrs
- Warm white, white or cold white color temperature
- Red, yellow, green or blue color
- 2W
- 100-240V or 12V



General Characteristics:

PRODUCT CODE	POWER (W)	VOLTAGE (V)	CCT	CRI
GL113-A	2W	110-240V	Red, green, yellow, blue, white	80+
GL113-B	2W	12V	RGB	80+

Dimensions:



Cautions:

- Please read the contents on the box and label carefully before installation.
- Check if the specification e.g. voltage, current etc meet the requirements.
- Power must be cut off before installation, replacement and cleaning.
- Don't touch the luminaire while it is on or immediately after turning it off. Please wait 15 min. to cool down.

Remarks:

- Power consumption tolerance: +/- 10%.
- Luminous flux & cd tolerance: +/-10%.

*Photos, descriptions and details of the product are subject to change without previous notice.

LED Garden Spot Light



Features:

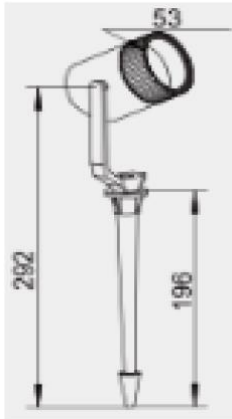
- LED fixture for garden & landscape illumination
- With 360° adjustable head & spike
- IP67
- Low power consumption & heat radiation
- Elegant design with solid & corrosion resistant Aluminum structure
- Lifespan 30000 hrs
- Warm white, white or cold white color temperature
- Red, yellow, green or blue color
- 7W & 10W
- 100-240V or 12V



General Characteristics:

PRODUCT CODE	POWER (W)	VOLTAGE (V)	CCT	CRI
GL117-A	7W	110-240V	Red, green, yellow, blue, white	80+
GL117-B	7W	12V	Red, green, yellow, blue, white	80+
GL117-C	10W	12V	RGB	80+

Dimensions:



Cautions:

- Please read the contents on the box and label carefully before installation.
- Check if the specification e.g. voltage, current etc meet the requirements.
- Power must be cut off before installation, replacement and cleaning.
- Don't touch the luminaire while it is on or immediately after turning it off. Please wait 15 min. to cool down.

Remarks:

- Power consumption tolerance: +/- 10%.
- Luminous flux & cd tolerance: +/-10%.

*Photos, descriptions and details of the product are subject to change without previous notice.

LED Tree Light



Features:

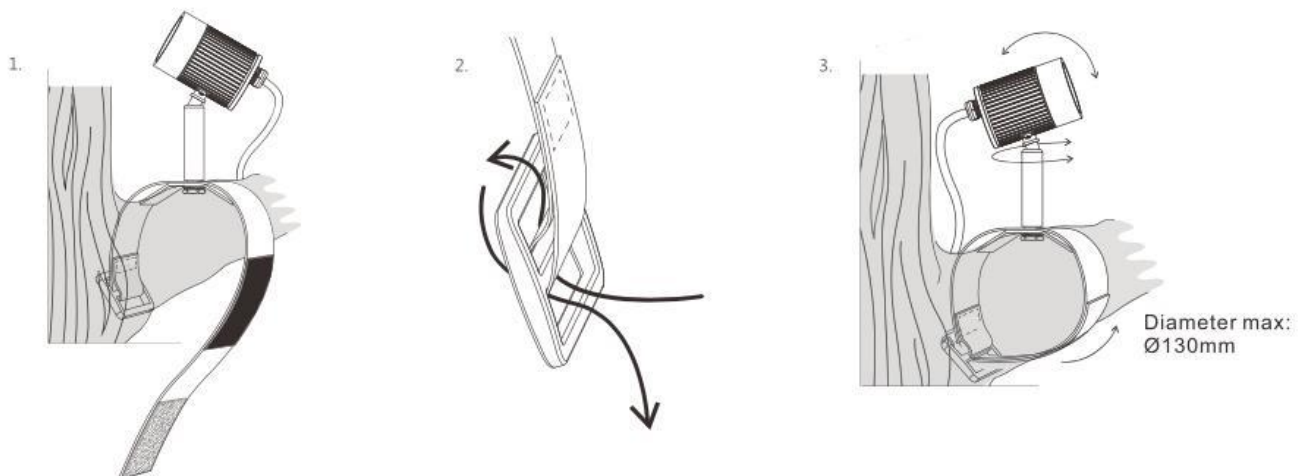
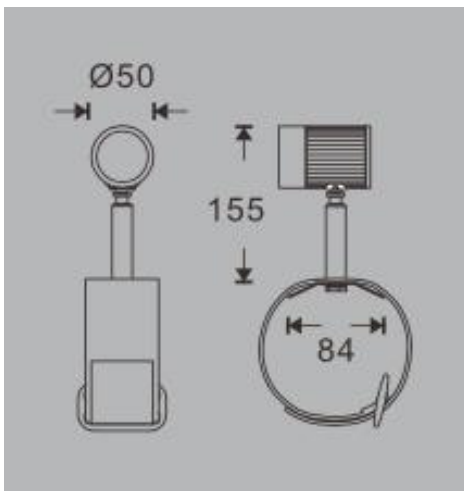
- LED fixture for tree illumination
- IP67
- Low power consumption & heat radiation
- Elegant design with solid & corrosion resistant structure
- Lifespan 30000 hrs
- Warm white, white or cold white color temperature
- Red, yellow, green or blue color
- 5W
- 1 pc COB LED
- 100-240V or 12-24V
- Aluminum + PC material



General Characteristics:

PRODUCT CODE	POWER (W)	VOLTAGE (V)	LUMEN OUTPUT (LM)	CRI	BEAM ANGLE
GL112	5W	110-240V	300lm	80+	15°, 30°
GL112	5W	12-24V	300lm	80+	15°, 30°

Dimensions:



Cautions:

- Please read the contents on the box and label carefully before installation.
- Check if the specification e.g. voltage, current etc meet the requirements.
- Power must be cut off before installation, replacement and cleaning.
- Don't touch the luminaire while it is on or immediately after turning it off. Please wait 15 min. to cool down.

Remarks:

- Power consumption tolerance: +/- 10%.
- Luminous flux & cd tolerance: +/-10%.