

## LED T8 Tube

### Single-end Version & Double-end Version

#### Benefits:

- 2 versions available: **Single-end OR Double-end**
- **Plastic + Alum., Glass OR NANO version**
- Energy saving & durability
- Easy to install, remove and replace
- Lower maintenance costs
- UV & IR free light
- CRI80
- Beam angle of 180°
- Glass tubes with 120° also available upon request



#### Applications:

- Industries
- Warehouses
- Shopping malls
- Offices
- Public areas



#### General Characteristics:

ITEM	WATT (W)	VOLTAGE (V)	FREQUENCY (HZ)	KELVIN (K)	LUMEN (Lm)	PF	MOD (mm)	MOL (mm)	BASE
T600-10W	9	100-265	50/60	3000-6500	1000-1200	0.9	29	602	G13
T900-14W	14	100-265	50/60	3000-6500	1500-1800	0.9	29	893	G13
T1200-20W	18	100-265	50/60	3000-6500	2200-2400	0.9	29	1212	G13
T1500-23W	23	100-265	50/60	3000-6500	2800-3000	0.9	29	1498	G13
T2400-35W	35	100-265	50/60	3000-6500	4300-4500	0.9	29	2400	G13

#### Cautions:

- Please read the contents on the box and label carefully before installation.
- Check if the specification e.g. voltage, current etc meet the requirements.
- Power must be cut off before installation, replacement and cleaning.

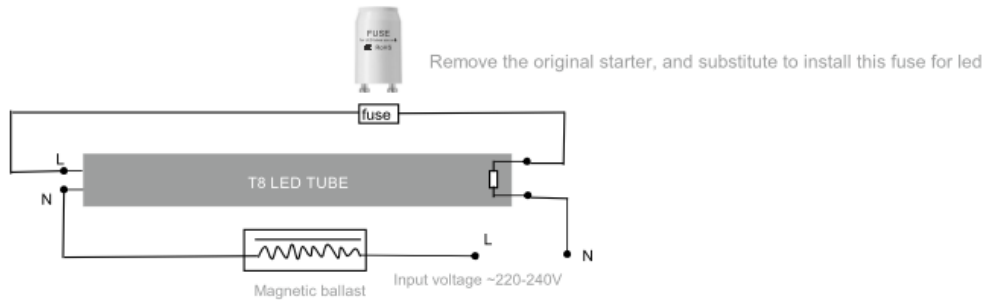
#### Remarks:

- Power consumption tolerance: +/- 10%.
- Luminous flux tolerance: +/-10%.
- Characteristics are the same for both single-end & double-end version.

## Installation Information

### SINGLE END INPUT

1. Replacement of traditional fluorescent tubes with magnetic ballast.  
Remove the original starter and replace it with our fuse for LED. Keep the magnetic ballast and install the tube directly.



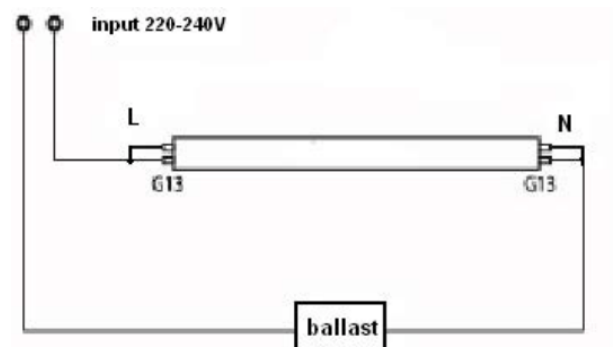
2. Replacement of traditional fluorescent tubes with electronic ballast.  
Remove the electronic ballast. Install the tube. There is no need to use the fuse for this way of installation.
3. Works directly with 120V / 220V.

Connect to 220V at the indicated side

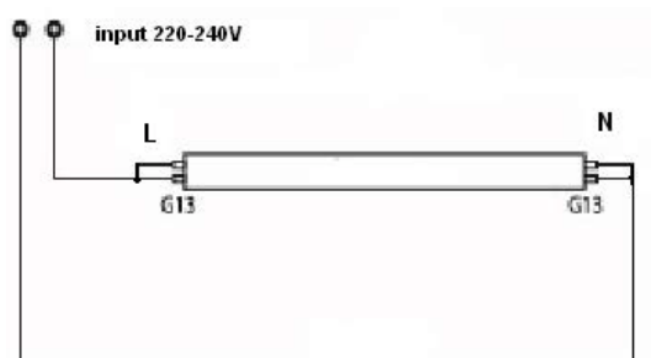


### DOUBLE END INPUT

1. Replacement of traditional fluorescent tubes with magnetic ballast.  
You can keep or remove the magnetic ballast.



2. Replacement of traditional fluorescent tubes with electronic ballast.  
Remove the ballast before installation.



## LED T5 Tube

### Single-end Version & Double-end Version

#### Benefits:

- 2 versions available: **Single-end OR Double-end**
- Glass Version
- Energy saving & durability
- Easy to install, remove and replace
- Lower maintenance costs
- UV & IR free light
- CRI80
- Beam angle of 160°
- High efficiency with 125-130lm/W also available



#### Applications:

- Industries
- Warehouses
- Shopping malls
- Offices
- Public areas



#### General Characteristics:

ITEM	WATT (W)	VOLTAGE (V)	FREQUENCY (HZ)	KELVIN (K)	LUMEN (Lm)	PF	MOD (mm)	MOL (mm)	BASE
T5-600-8W	8	100-240	50/60	3000-6500	850-900	0.9	18.5	549	G5
T5-900-12W	12	100-240	50/60	3000-6500	1200-1300	0.9	18.5	849	G5
T5-1200-16W	16	100-240	50/60	3000-6500	1600-1700	0.9	18.5	1149	G5
T5-1500-20W	20	100-240	50/60	3000-6500	2000-2100	0.9	18.5	1449	G5

#### Cautions:

- Please read the contents on the box and label carefully before installation.
- Check if the specification e.g. voltage, current etc meet the requirements.
- Power must be cut off before installation, replacement and cleaning.

#### Remarks:

- Power consumption tolerance: +/- 10%.
- Luminous flux tolerance: +/-10%.
- Characteristics are the same for both single-end & double-end version.